



Over 100 million possible combinations, including an audit trail

E-PLEX® 5000 Lock

Electronic and Mechanical Protection to Control and Monitor Doorway Access

It's always a grand entrance with the E-PLEX 5000 lock. This device gives you superior control over who has access to your store and when. With five authority levels, you decide which associates have user privileges—eliminating problems and costs associated with issuing, controlling and collecting keys.

Programming is easy using the keypad or optional Microsoft Excel software. A variety of codes and operation modes provide added protection.



Advantages

- Extra heavy duty primary lock
- Simplifies management of doors
- Quick and easy battery replacement
- LectroBolt eliminates wiring through door
- Gives you control over who has store access
- Internal memory provides Audit Trail (with optional software packages)
- Three-year warranty
- Code length is adjustable from four to eight digits

The no-hassle installation doesn't require wiring through your doors; locks come non-handed and pre-assembled for left hand door installs, but can be easily changed in the field. Its sleek unobtrusive design allows for a smooth keyless entry to help you run a smooth business.

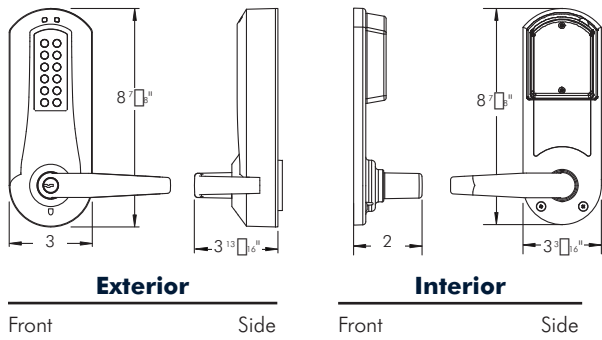
With the E-PLEX 5000, we put the authority in your hands.

Features

- Electronic pushbutton lock promotes ease of use
- 100 access codes provide over 100 million possible combinations
- Internal memory records last 3,000 lock events
- Three operation modes include PIN Access, Lockout and Passage
- Five different authority levels
- Optional Microsoft Excel software for programming
- Battery life of up to 180,000 cycles



E-Plex® 5000 Lock SPECIFICATIONS



Installation

Ease of Installation:	LectroBolt™ (patent pending) eliminates wiring to or through the door - no risk of pinched wires
Door Preparation:	Easily installs on wood or metal doors. ASA 161 door preparation with additional through bore holes
Door Thickness:	1 3/8" (35 mm) to 2 1/4" (57 mm). Pre-assembled to accommodate doors 1 5/8" (41 mm) to 2" (50 mm)
Items Supplied Include:	Lock assembly, installation manual, template, quick reference guide, operations manual and required hardware

Part Numbers

DL-5031XK-26D	Universal Kaba 1599 6-pin cylinder with tailpiece, two nickel silver keys supplied
DL-E5031B-26D	Comes with small format Best and equivalents (6 or 7-pin length)

Mechanical Features

Construction:	Extra heavy-duty cylindrical lockset, solid cast housings, solid cast levers, cylindrical drive wear tested for extensive use in indoor and outdoor applications
Numeric Keypad:	Vandal resistant, solid metal pushbuttons
Door Handing:	Non-handed, pre-assembled for left-hand door installations – easily changed in the field
Standard Finishes:	Satin Chrome 26D (626) housings & levers
Optional Finishes:	Black (676) housings with Satin Chrome (626) levers and accents Bright Brass 03 (605) housings & levers Bright Chrome 026 (625) housings & levers Duranodic 55 (695) housings & levers with Satin Chrome accents Satin Brass 04 (606) housings & levers
Backset:	2 3/4" (70 mm) backset
Latch:	1 1/2" (13 mm) latch; 3/4" (19 mm) latch is optional
Minimum Stile Recommended:	5" (127 mm)
Weight:	8 lbs. (3.63 kg)

Key Override

Universal Key-In-Lever Cylinders: (Optional)	Includes Kaba 1599 6-pin cylinder (prepped to Kaba 90 or Schlage C keyway, keyed different) and tailpieces for compatibility with:		
	Abloy 5277	Kaba 1539	Sargent 10 Line
	Abloy 5477	Kaba 1599	Schlage 23-001
	Arrow C 100	Kaba Gemini 4730	Schlage Primus 20-760
	ASSA 65611	Kaba Peaks 1099	Australian: Kaba experT 107K5 & Boyd KC286
	ASSA 65691	Marks	European: Quattro S/Expert & AP2 (5 and 6-pin)
	Corbin Russwin 2000-03	Medeco 20W200H1	

Removable Cores

Also Available: Large format ASSA, Medeco, Yale (5 or 6-pin), Corbin Russwin, Schlage and Sargent

Certification and Testing

Accessibility Standard:	Americans with Disabilities Act (ADA)
Durability:	ANSI/BHMA A156.25, Grade 1 Certification
Fire Rating:	Three-hour UL/ULC fire door rating for "A" labeled doors
Environmental:	Indoor/Outdoor Approved Front Housing: -31° F (-35° C) to + 151° F (66° C) Rear Housing: -31° F (-35° C) to + 130° F (55° C)

Warranty

Warranty: Three-year warranty from date of installation; built-in warranty counter in lock memory